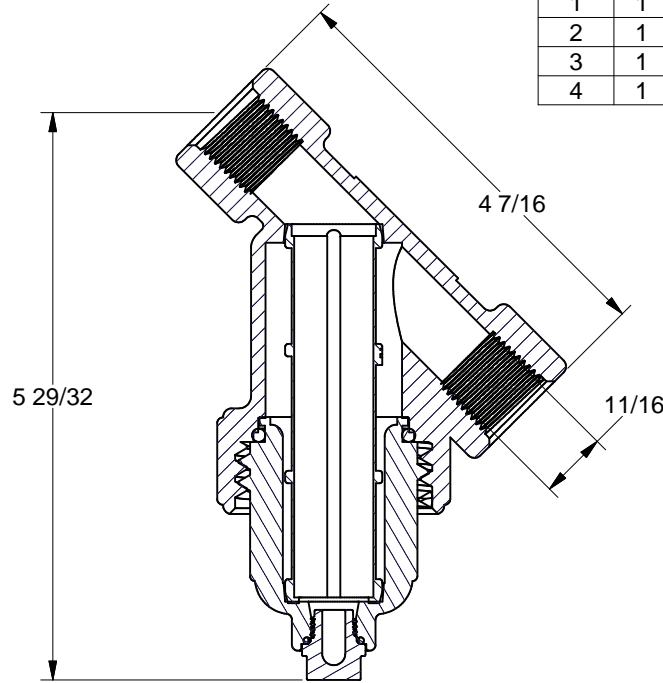
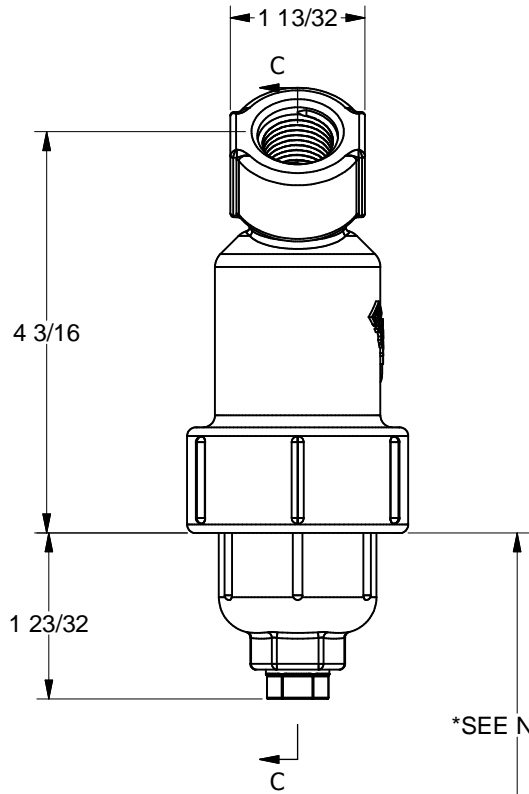
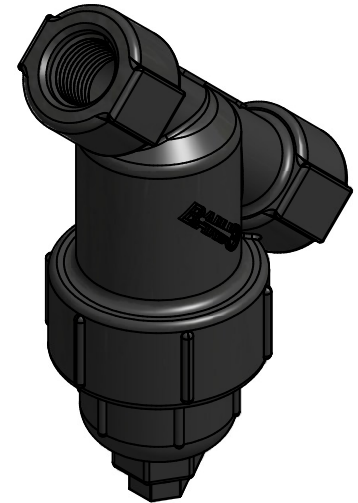


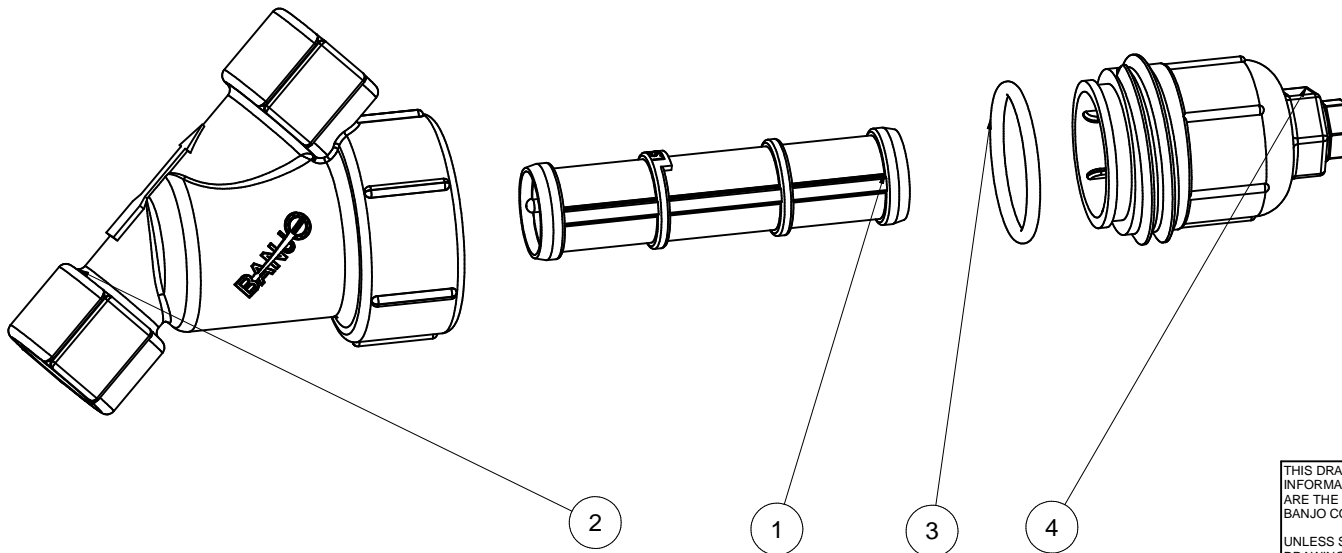
Parts List			
ITEM	QTY	PART NUMBER	DESCRIPTION
1	1	LS720	3/4" LS SCREEN - 20 MESH
2	1	LS050-B	1/2" LINE STRAINER BODY
3	1	LS075-G	#221 O-RING, EPDM
4	1	LS075-C1	1/2" & 3/4" LINE STRAINER CAP



\*NOTE:  
ADDITIONAL CLEARANCE REQ'D  
FOR SCREEN REMOVAL: 4"



\*SEE NOTE



THIS DRAWING AND ALL INFORMATION CONTAINED THEREON ARE THE EXCLUSIVE PROPERTY OF BANJO CORPORATION.

UNLESS SPECIFICALLY NOTED, THIS DRAWING AND ITEMS SHOWN ON THIS DRAWING ARE SUBJECT TO CHANGE AT ANY TIME.



BANJO CORPORATION  
150 BANJO DRIVE, CRAWFORDSVILLE, IN 47933  
WEB SITE: WWW.BANJOCORP.COM  
E-MAIL: BANJOSALES@IDEXCORP.COM

DESCRIPTION  
1/2" LINE STRAINER, 20 MESH

PART NUMBER  
LS050-20