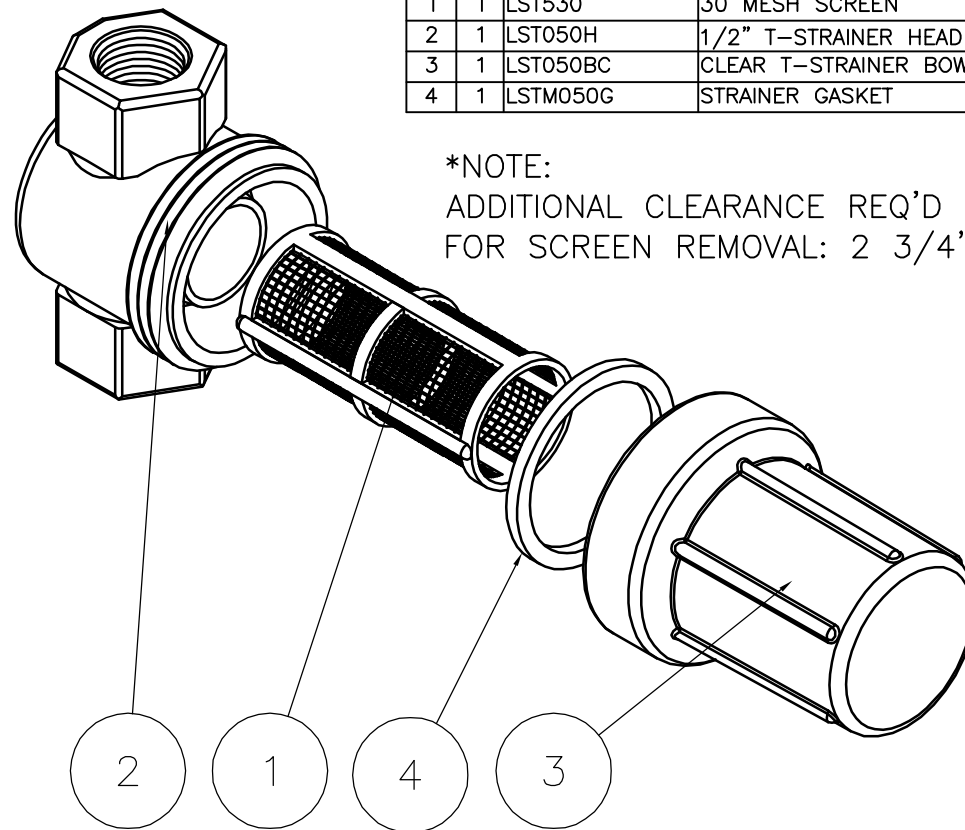


\*SEE NOTE

| Parts List |     |          |                       |
|------------|-----|----------|-----------------------|
| ITEM       | QTY | PART NO. | DESCRIPTION           |
| 1          | 1   | LST530   | 30 MESH SCREEN        |
| 2          | 1   | LST050H  | 1/2" T-STRAINER HEAD  |
| 3          | 1   | LST050BC | CLEAR T-STRAINER BOWL |
| 4          | 1   | LSTM050G | STRAINER GASKET       |

\*NOTE:  
ADDITIONAL CLEARANCE REQ'D  
FOR SCREEN REMOVAL: 2 3/4"



BANJO CORPORATION  
150 BANJO DR. \* CRAWFORDSVILLE, IN 47933

PART NO.  
**LSTM050-30C**  
TITLE  
**1/2" T-STRAINER W/ CLEAR BOWL**

THIS DRAWING AND ALL INFORMATION CONTAINED THEREIN ARE THE EXCLUSIVE PROPERTY OF BANJO CORPORATION. UNLESS SPECIFICALLY NOTED, THIS DRAWING AND ITEMS SHOWN ON THIS DRAWING ARE SUBJECT TO CHANGE AT ANY TIME.