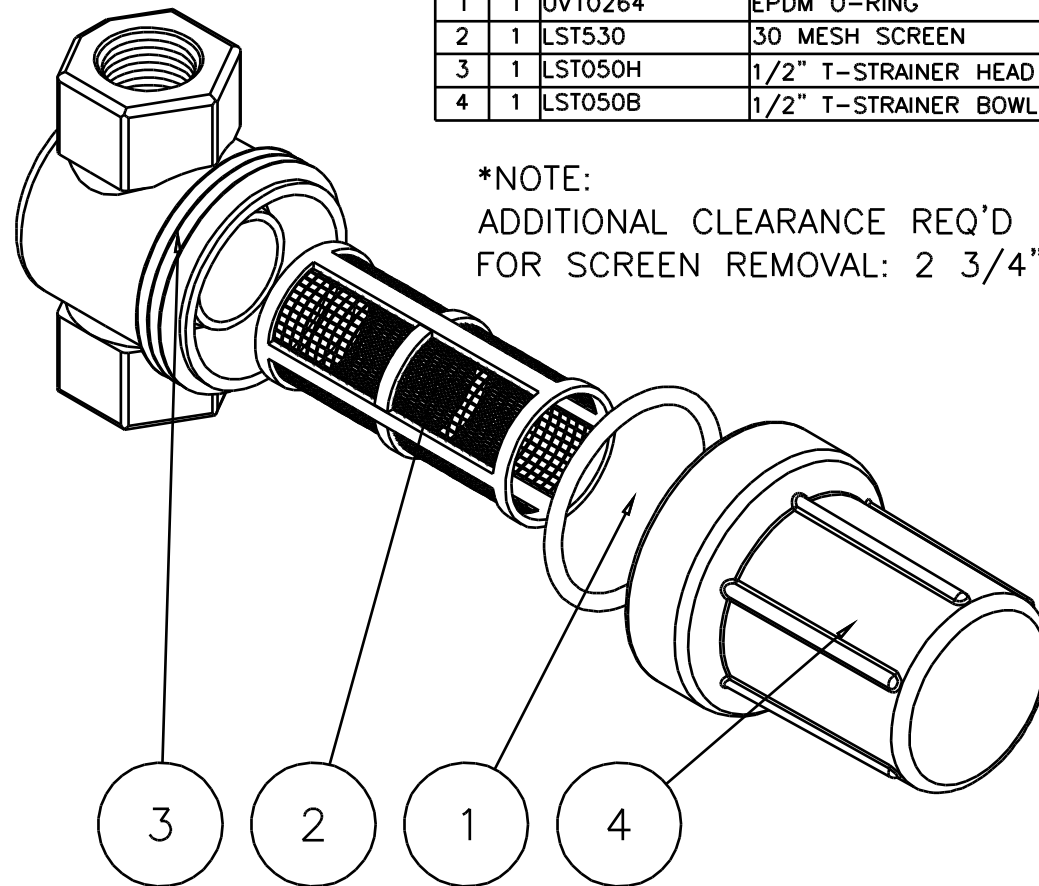


Parts List			
ITEM	QTY.	PART NO.	DESCRIPTION
1	1	UV10264	EPDM O-RING
2	1	LST530	30 MESH SCREEN
3	1	LST050H	1/2" T-STRAINER HEAD
4	1	LST050B	1/2" T-STRAINER BOWL



\*NOTE:  
ADDITIONAL CLEARANCE REQ'D  
FOR SCREEN REMOVAL: 2 3/4"



BANJO CORPORATION  
150 BANJO DR. • CRAWFORDSVILLE, IN 47933

PART NO.  
LSTM050-30

TITLE  
1/2" T-STRAINER

THIS DRAWING AND ALL INFORMATION CONTAINED THEREON ARE THE EXCLUSIVE PROPERTY OF BANJO CORPORATION. UNLESS SPECIFICALLY NOTED, THIS DRAWING AND ITS DIMENSIONS ARE SUBJECT TO CHANGE AT ANY TIME.