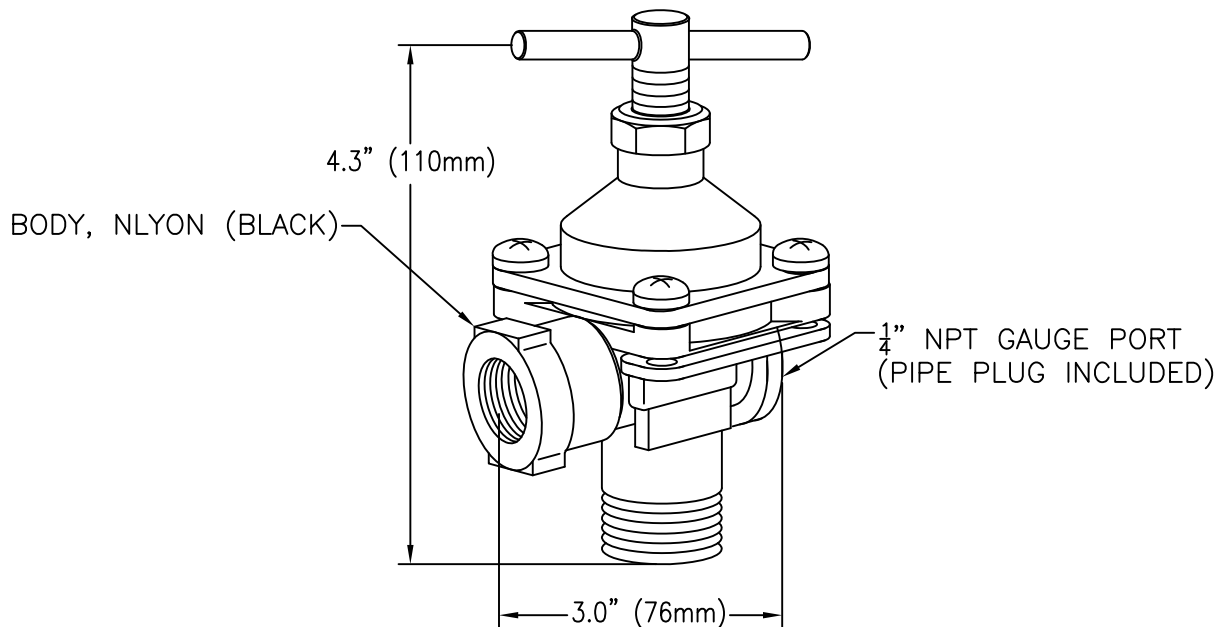


12690 THROTTLING VALVE

THE 12690 THROTTLING VALVES ARE GENERALLY USED FOR METERING FLOW ON SYSTEMS EQUIPPED WITH NON-POSITIVE PUMPS OR FOR OTHER APPLICATIONS WHERE METERING OF FLOW IS REQUIRED. CAN ALSO BE USED FOR CONTROLLING FLOW IN AGITATION AND RETURN LINES.



FEATURES:

- MAXIMUM RECOMMENDED OPERATING PRESSURE - 125 PSI (9 BAR).
- STEM LOCKNUT ALLOWS FLOW RATE SETTING TO BE MAINTAINED.
- LONG, TAPERED SEAT PROVIDES SMOOTH FLOW RATE ADJUSTMENT.
- EASY SERVICEABILITY, ALL PARTS CAN BE REMOVED FROM BODY WITHOUT REMOVING CONNECTING PIPE.
- NYLON SEATING SURFACE OFFERS LONG WEAR LIFE AND POSITIVE SHUT-OFF.
- WETTED MATERIALS: NYLON, ACETAL, VITON, STAINLESS STEEL AND STEEL.

THROTTLING VALVE NO.	INLET CONN. NPT(M)	OUTLET CONN. NPT(F)	FLOW RATE IN GPM (IN FULLY OPEN SETTING)						
			10 PSI	20 PSI	30 PSI	40 PSI	60 PSI	80 PSI	100 PSI
12690-1/2-NYB	1/2"	1/2"	18	26	32	36	44	50	56
12690-3/4-NYB	3/4"	3/4"	26	37	45	52	64	74	82

THROTTLING VALVE NO.	INLET CONN. NPT(M)	OUTLET CONN. NPT(F)	FLOW RATE IN l/min (IN FULLY OPEN SETTING)						
			1.0 BAR	1.5 BAR	2.0 BAR	2.5 BAR	3.0 BAR	5.0 BAR	7.0 BAR
12690-1/2-NYB	1/2"	1/2"	82	100	116	130	142	183	220
12690-3/4-NYB	3/4"	3/4"	118	145	167	187	205	265	310

DESCRIPTION:

12690-1/2-NYB &
12690-3/4-NYB
THROTTLING VALVES



Spraying Systems Co.[®]

Spray Nozzles and Accessories
P.O. Box 7900 - Wheaton, IL. 60189-7900

Rev. No.

Ref.

DATA SHEET

12690

SHEET OF